

## N300 N320

High quality IP cameras  
with megapixel resolution

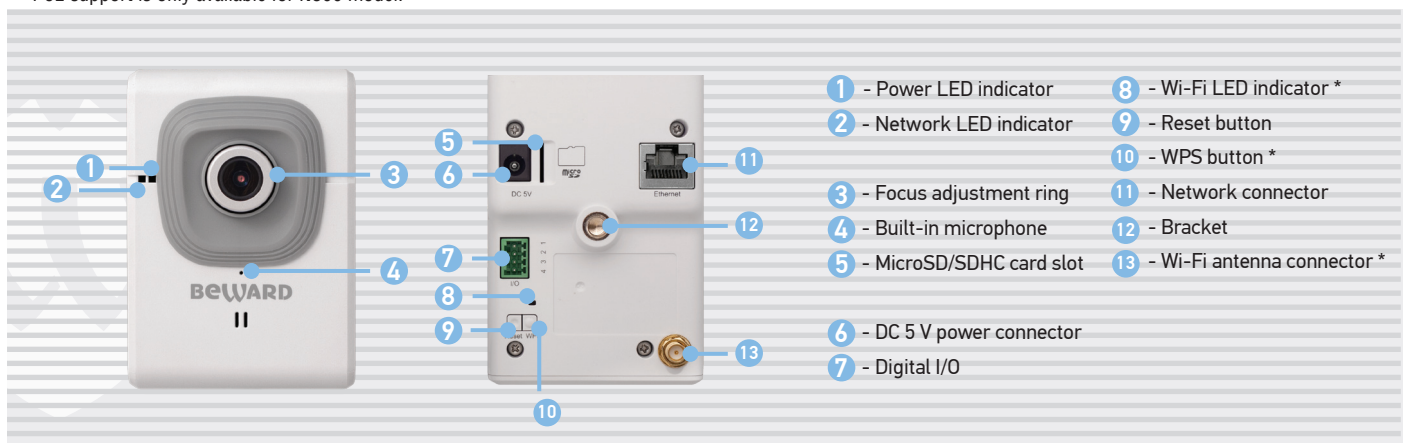


- Progressive scan CMOS
- 30 fps at 720p HD resolution
- Simultaneous motions: H.264/MPEG-4/MJPEG
- WDR-mode support (Wide Dynamic Range)
- Built-in microphone (with audio gain adjustment)
- Network-attached storage (NAS) recording
- 16-channel software included
- Multizone motion and audio detection
- Wi-Fi 802.11b/g/n (WPS support)\*
- PoE support\*\*
- MicroSDHC memory card support
- Digital Input/Output (Digital I/O)

N300/N320 COMPACT MEGAPIXEL IP CAMERAS WITH A HIGH SENSITIVE SENSOR AND WDR-MODE SUPPORT ARE USED FOR INSTALLATION PROFESSIONAL HOME AND OFFICE VIDEO SURVEILLANCE SYSTEMS.

\* Wireless Wi-Fi connection is only available for N320 model.

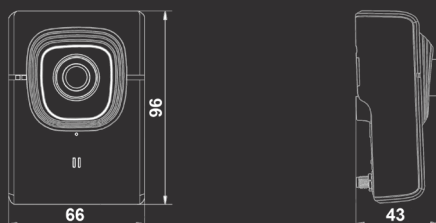
\*\* PoE support is only available for N300 model.



GENERAL FEATURES			
Model	N300/N320		boot device, periodical event,
Image sensor	OmniVision, 1/4" CMOS		IP-notification, capacity warning,
	Progressive scan		tampering detection,
Sensor dimensions	3.88x2.43 mm	NAS recording	digital input
Sensitivity	0.2 lux / 0.05 lux (DSS @ 2 fps)		Recording of video data, images,
Shutter time	1/2 - 1/10000 s		system log to a shared folder or
AGC	1x to 64x		to NAS - continually, by alarm,
Extra	WDR (8 levels), Noise Reduction, BLC	Memory card	by schedule, periodically
		recording	Images, video data, system log:
			continually, by alarm, by schedule,
			periodically
		FTP uploading	Images, video data, system log:
			by alarm, by schedule, periodically
			(pre-,post recording, time span: 1 min. to 24 h.)
		Sending by e-mail	Images, video data, system log:
			by alarm, by schedule, periodically
			(pre-,post recording, time span: 1 min. to 24 h.)
LENS		CONNECTORS	
Type	M12, F1.8	Ports/Connectors	RJ-45 for Ethernet 10/100 Base-T,
Focal length	4.0 mm		power connector, memory card slot,
Angle of view	52° (horizontal)		Reset button,
VIDEO			WPS button and SMA connector (N320 only)*
Video streaming	H.264 Baseline Profile, MPEG-4 Simple Profile, Motion JPEG (simultaneous encoding),	Digital I/O	1 input/1 output; NO/NC mode
Resolutions	1280x800, 1280x720, 640x480, 320x240, 160x120	Memory card	MicroSD/MicroSDHC (up to 32 GB)
Frame rate	H.264/MPEG-4/Motion JPEG: up to 30 fps at all resolutions	CONTROL/SETTINGS	
Bit rate	H.264/MPEG-4: customize settings, presets (5 fixed), fixed bit rate: from 32 kbit/s to 6 Mbit/s; Motion JPEG: customize settings, presets	Control	Professional 16-channel software for recording and monitoring, software for searching and setting of IP cameras (included)
Profile	10 profiles, individual adjustment		Firefox, Safari, IE 9.0 or later
View areas	Up to 4 view areas	UPnP	Windows UPnP auto-discovery (XP SP3/Vista/Windows 7)
Image settings	Brightness, contrast, saturation, sharpness	OPERATION	
	Rotation: mirror, flip, mirror+flip; time/date, text	Power	5 B, 0.6 A DC, max. 3 W
	Privacy Zone Masking	LED	PoE 802.3 af** (for N300 only)
Zoom	Digital 10x (on/off)	Operating temperature	Power, network status, Wi-Fi connection*
AUDIO		Dimensions (WxHxT)	0 to +50°C
Audio	Built-in microphone and speaker with audio gain adjustment	Net Weight	66x96x43 mm
Audio compression	G.711 u-law, a-law, AMR	Casing	100 g
Audio streaming	Two-ways	MINIMUM REQUIREMENTS	
	Full-duplex, half-duplex	Network interface card	Yes
NETWORK		Browser	Internet Explorer 9.0 or later
Interfaces	10Base-T/100Base-T Ethernet port	Operating system	Windows XP, Vista, Windows 7, MAC OS Leopard 10.5 or later
Supported protocols	TCP/IP, DHCP, PPPoE, ARP, ICMP, FTP, SMTP, DDNS, NTP, UPnP, Bonjour, RTSP, RTP, HTTP, HTTPS, UDP, ONVIF v2.2	Processor	2.8 GHz Pentium 4 or equivalent AMD
Security	Multilevel users access with password protection (up to 5 simultaneous connections), HTTPS encryption, IP Filter	RAM	1 GB (recommended 2 GB or higher)
Connection	DHCP, static IP address	Video card	256 Mb
WIRELESS INTERFACE*		PACKAGE CONTENTS	
Standart	IEEE 802.11 b/g/n (WPS support)	Package contents	IP-camera (lens pre-installed)
Security	WPA-PSK / WPA2-PSK, WEP 64/128 bit encryption		Bracket (mounting kit included)
RECORDING AND EVENTS			5 V, 1 A DC power supply
Events	Audio detection, multizone motion detection with sensitivity and threshold adjustment, network link down,		Wi-Fi antenna (N320 only)*
			Terminal block (4 contacts; digital input/output)
			Patch cord (1 m length)
			Quick installation guide
			CD with software and user's manuals
			Package

\* Wireless Wi-Fi connection is only available for N320 model.

\*\* PoE support is only available for N300 model.



Important! Purchasing a product please check its package content and inspect it for mechanical damages. Product specifications can be changed without preliminary notice.